



WBM Pipe and Pole Grapple is one of the most versatile of pipe grapples available. The design enables both small or large diameter pipe to be held and stabilized against the fork tines. Pipe and Pole rack widths range from 84" to 120" depending on machine size and application. Fork tines are designed in numerous sizes and configurations to satisfy lifting requirements in specific applications.

FEATURES AND BENEFITS

RACK

- Rugged structural tube frame
- High strength (100,000 psi yield) steel fork tine construction
- High strength alloy hanger shafts
- Increased rack width over Pallet Fork Racks
- Available with WLKAT or OEM pin-on lugs
- Excellent visibility through frame
- Increased durability and attachment life
- Increased strength to weight ratio increases machine payload
- Increased rack width supply stability to long pipe loads

OVERARM

- Overarm design is heavy-duty box construction
- Dual overarm design, with auxiliary 'kickers'
- Overarm sections structurally tied together, positioned at ends of rack
- 4 heavy-duty cylinders for overarm and 'kickers'
- Extra durability and rigidity in construction to stabilize long pipe loads
- Ability to hold and stabilize large or small diameter pipe
- Increased holding forces
- Increased wear life of rotating members

Continued on next page »

STANDARD SPECIFICATIONS

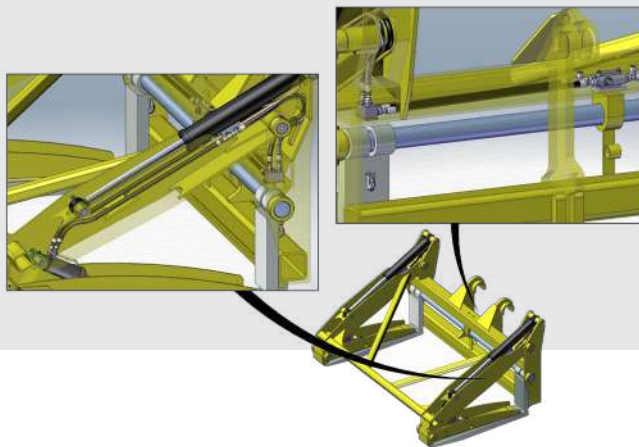
- Assembled and mounted dual overarms with 'kickers'
- 2500 psi crossover relief to protect the cylinders
- Hydraulic hose routing to crossover relief valve
- 100,000 psi yield fork tines
- Swing-out locks
- Kwik-a-attach lugs and pin on lugs
- Alloy chrome plated pins

OPTIONS

- Standard taper, full taper and polished tine profiles

REVISED HOSE ROUTING FOR OVERARM AND KICKERS

- Hoses concealed within frame and overarms
- Protected from damage while working
- Designed for access to fittings and hoses



PIPE GRAPPLES / CLAMP

WBM PART #: 143-420-xxxx

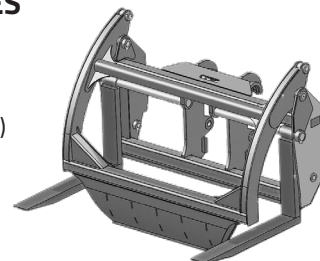
WBM Pipe Grapples are one of the most versatile of pipe grapples available. Pipe rack widths range from 96" to 144" depending on machine size and application. Fork tines are designed in numerous sizes and configurations.



PIPE (AND POLE) GRAPPLES (LARGE DIAMETER)

WBM PART #: 143-405-xxxx

WBM Large Diameter Pipe (and Pole) Grapples come with a full width top clamp. Fork tines are designed in various sizes and configurations.



MACHINE SERIES	WBM MODEL #	DESCRIPTION	WEIGHT (lbs)
WL125	WL125-PG-96	96" wide; 2" x 6" x 54" fork tines	3,500
WL150	WL150-PG-96-6	96" wide; 2" x 6" x 54" fork tines	3,550
WL150	WL150-PG-96-8	96" wide; 2" x 8" x 54" fork tines	3,650
WL175	WL175-PG-96	96" wide; 2.5" x 8" x 60" fork tines	4,025
WL200	WL200-PG-96	96" wide; 2.5" x 8" x 72" fork tines	4,250
WL200	WL200-PG-120	120" wide; 2.5" x 8" x 72" fork tines	4,500
WL250	WL250-PG-120	120" wide; 3" x 10" x 72" fork tines	5,050
WL300	WL300-PG-144	144" wide; 3" x 12" x 72" fork tines	9,100
WL400	WL400-PG-144	144" wide; 4" x 12" x 72" fork tines	11,625

MACHINE SERIES	WBM MODEL #	DESCRIPTION	WEIGHT (lbs)
WL250	WL250-PG-LD-96	96" wide; 3" x 8" x 60" fork tines	6,000
WL300	WL300-PG-LD-144	144" wide; 3" x 12" x 72" fork tines	11,500
WL400	WL400-PG-LD-144	144" wide; 4" x 12" x 72" fork tines	13,175

Comes with full width top clamp. Comes with WBM or ISO style lugs.

Comes with dual compound overarms and WBM KAT or ISO lugs.